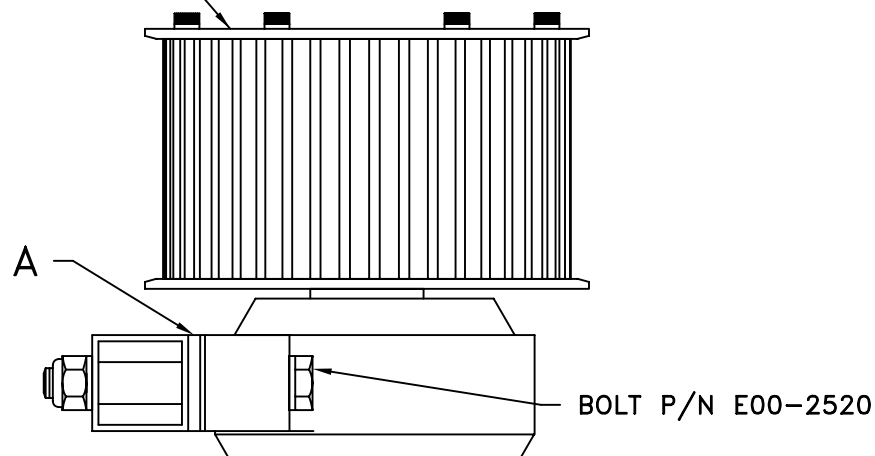
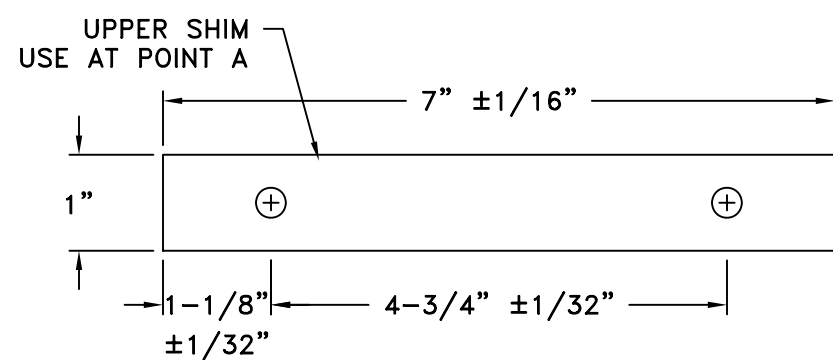


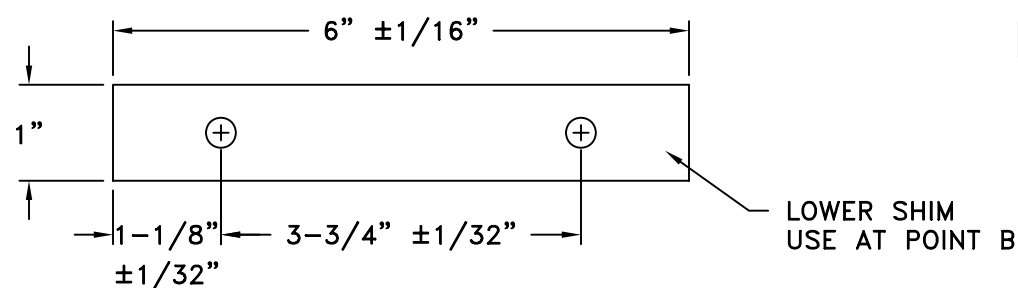
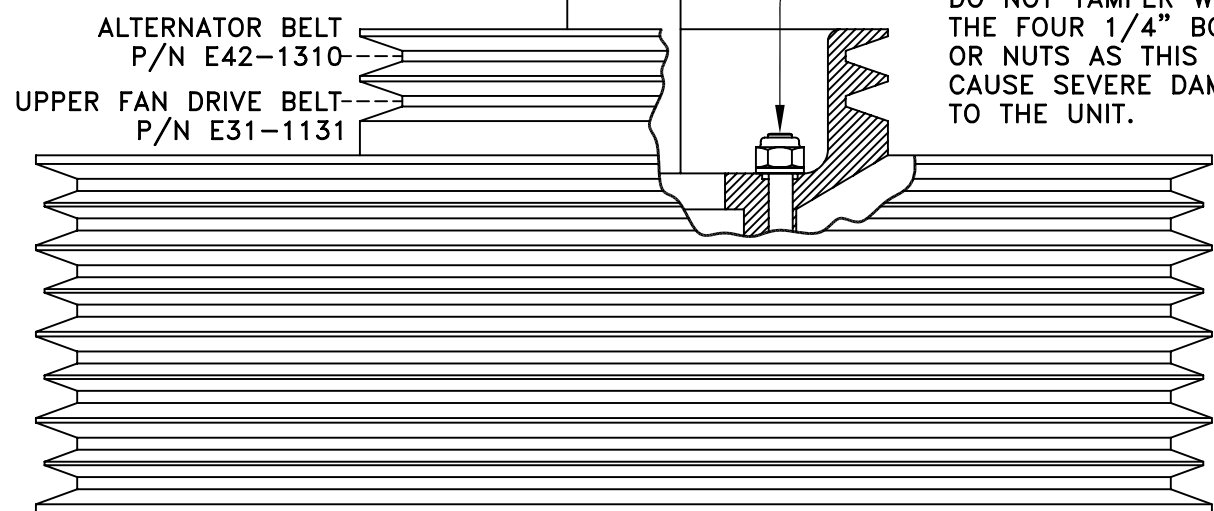
### SECONDARY DRIVE INSTALLATION

REFER TO CONSTRUCTION MANUAL FOR INSTALLATION AND REMOVAL OF THE SECONDARY SPROCKET AND LOCKING ASSEMBLY

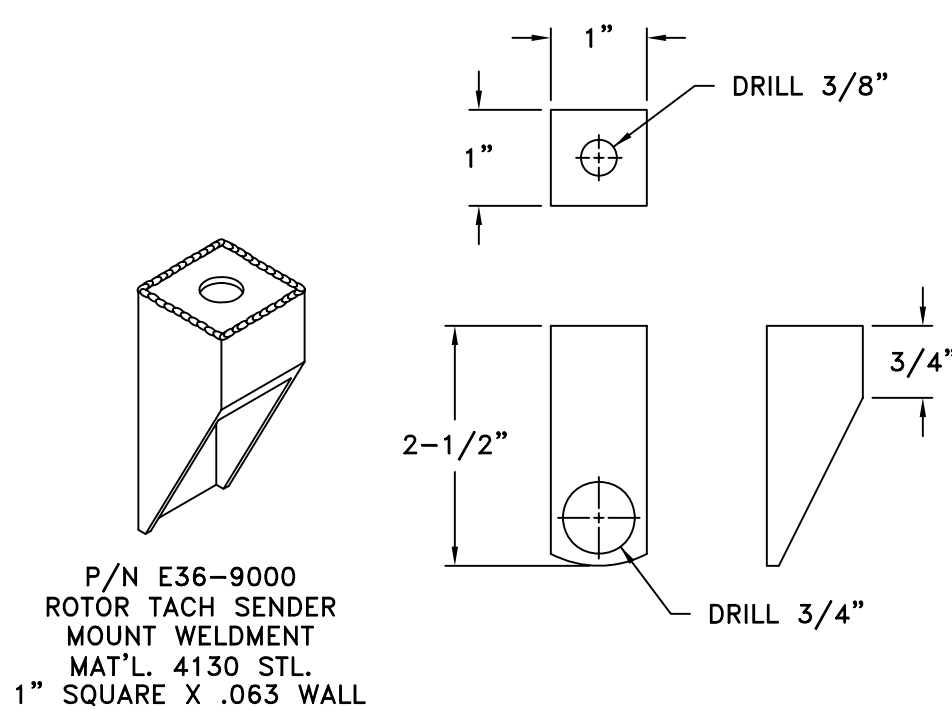


**WARNING**  
DO NOT TAMPER WITH THE FOUR 1/4" BOLTS OR NUTS AS THIS WILL CAUSE SEVERE DAMAGE TO THE UNIT.

INSERT SHIMS P/N E23-2100 AND E23-3100 AT POINTS A AND B AS REQUIRED TO MAINTAIN THE PARALLELISM OF THE MAIN SHAFT AND SECONDARY SHAFT.

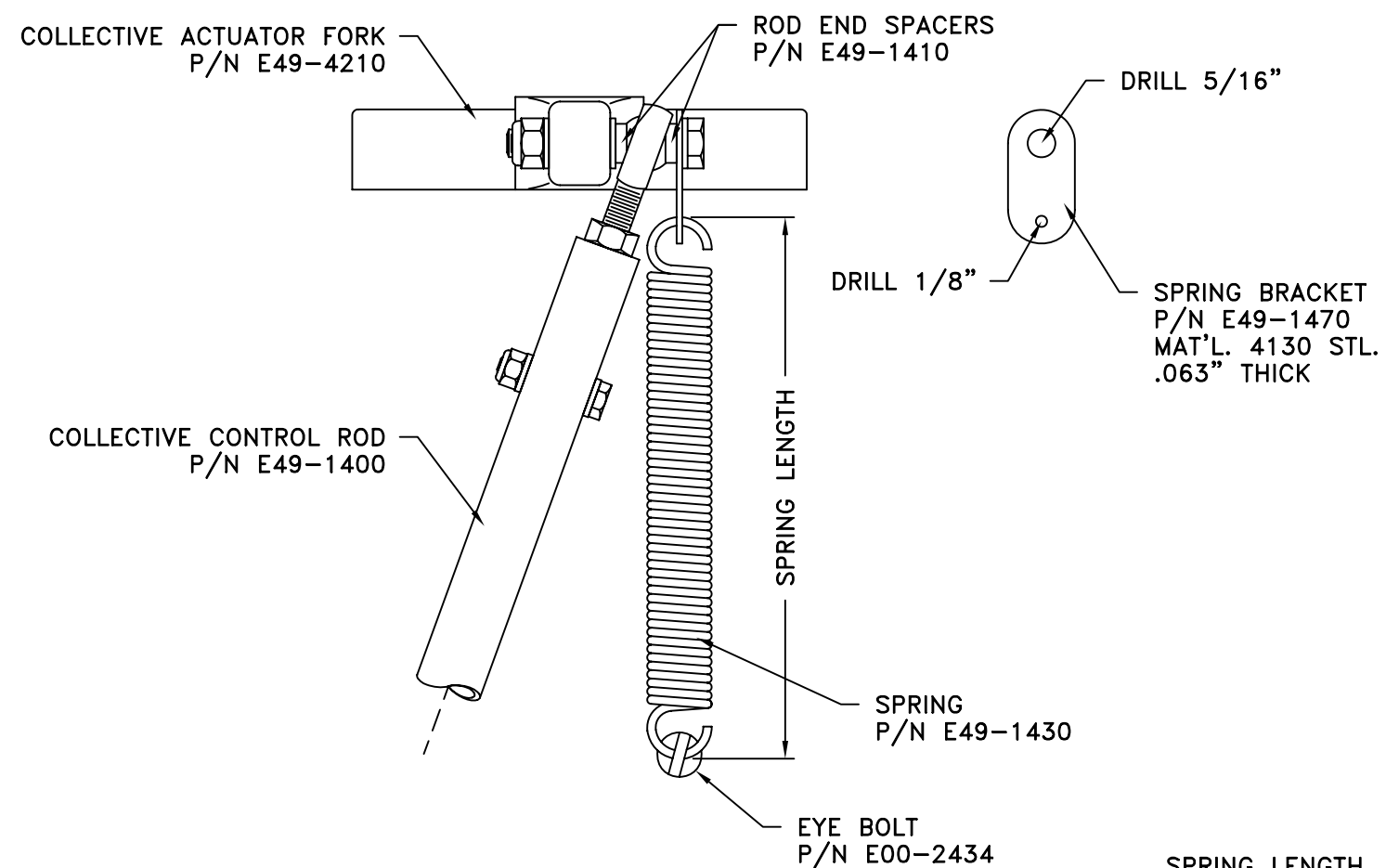


### ROTOR TACH SENDER MOUNT



P/N E36-9000  
ROTOR TACH SENDER MOUNT WELDMENT  
MAT'L. 4130 STL.  
1" SQUARE X .063 WALL

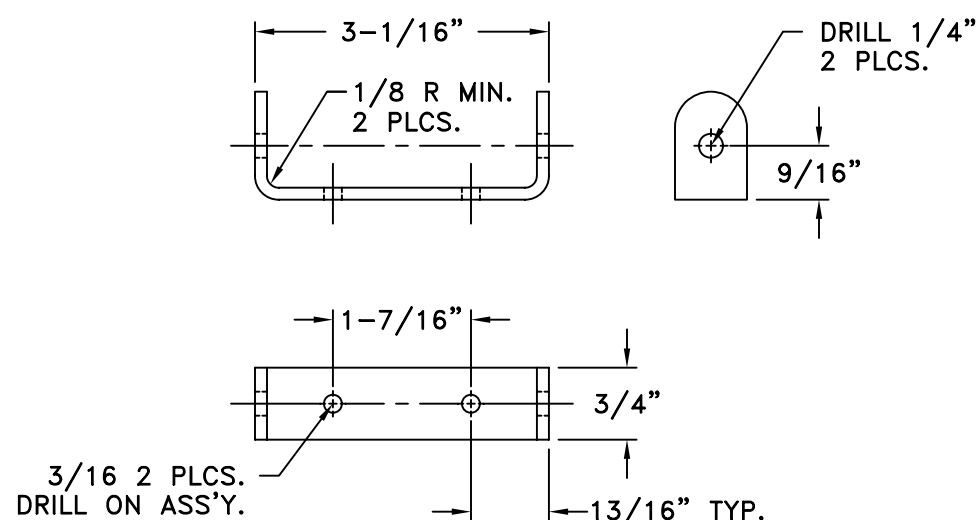
### COLLECTIVE CONTROL SPRING ATTACHMENT



SPRING LENGTH	
COLLECTIVE FULL	
UP	DOWN
7-1/2"	8-3/4"

### COLLECTIVE SCISSORS MOUNT

P/N E49-1380  
MAT'L. 4130 STL.  
.125" THICK



ROTORWAY INTERNATIONAL CHANDLER, ARIZONA		
SCALE: NONE	APPROVED BY:	DRAWN BY: WAR
DATE: 1-19-08		REVISED:
SECONDARY DRIVE, ROTOR TACH SENDER MT, COLLECTIVE SPRING AND SCISSOR MOUNT		
MODEL: A600 TALON	DRAWING NUMBER: E23-2000	